



# 产品承认书 SPECIFICATION FOR APPROVAL

客户名称:

CUSTOMER

我司料号:

OUR PART NO.

XRCB3216U110-6R0TF

我司品名:

OUR PART NAME

Patch laminated ferrite beads

送样日期:

DATE SAMPLES

数量:

QUANTITY

## 制造确认 MANUFACTURER APPROVE

拟制 DRAWN	审核 CHECKED	确认 APPROVED
HuangHexiang	RaoPing	ZhongCuilan

## 客户确认 CUSTOMER APPROVE

客户名称 CUSTOMER NAME:

客户料号 CUSTOMER P/N:

规格型号 DESCRIPTION: 1206 11Ω 6A magnetic bead

检查结果:  合格  不合格

签名及盖章:

INSPECT RESULT ACCEPT REJECT

SIGNATURE AND STAMP

说明 REMARK:

如对本承认书内容有异议请提出或标记发送至我司, 本承认书在未收到异议回复时于本承认书提供一周后生效。

If you have any objection to the contents of this acknowledgment, please raise it or send the mark to us. The acknowledgment will become effective one week after the acknowledgment is provided in the absence of any objection.

东莞市祥如电子有限公司

DONGGUAN XIANGRU ELECTRONICS CO., LTD

Tel: 0769-86346548 Fax: 0769-86346358

Mailbox: dgxiangru@126.com

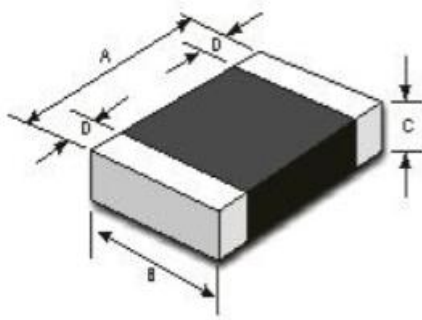
## 产品承认书

### SPECIFICATION FOR APPROVAL

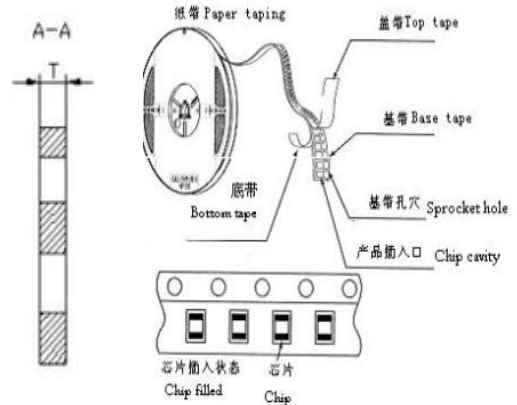
客户名称 CUSTOMER		日期 DATE	2024-6-21
客户物料编号 CUSTOMER P/N		客户规格型号 DESCRIPTION	1206 11Ω 6A magnetic bead
我司物料编号 OUR PART NO	XRCB3216U110-6R0TF	我司品名 OUR PART	Patch laminated ferrite beads

规格尺寸: Dimension

单位 Unit: mm



Part NO.	A	B	C	D	
1206	$3.2 \pm 0.20$ ( $0.126 \pm 0.008$ )	$1.6 \pm 0.20$ ( $0.063 \pm 0.008$ )	$0.9 \pm 0.20$ ( $0.035 \pm 0.008$ )	$0.5 \pm 0.3$ ( $0.020 \pm 0.012$ )	



Part NO.	A0	B0	W	F	E	P1	P2	P0	D0	T
3216	$1.90 \pm 0.2$	$3.50 \pm 0.2$	$8.0 \pm 0.2$	$3.5 \pm 0.1$	$1.75 \pm 0.2$	$4.0 \pm 0.2$	$2.0 \pm 0.1$	$4.0 \pm 0.2$	$1.55 \pm 0.1$	$0.95 \pm 0.1$

每卷数量: REEL

4000PCS



# 产品承认书

## SPECIFICATION FOR APPROVAL

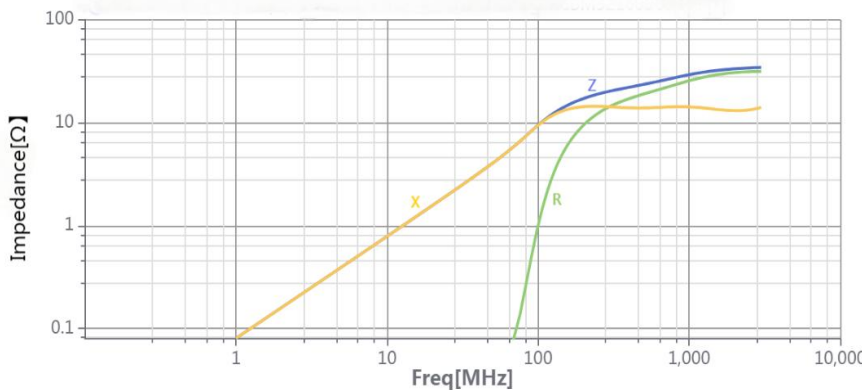
客户名称 CUSTOMER		日期 DATE	2024-6-21
客户物料编号 CUSTOMER P/N		客户规格型号 DESCRIPTION	1206 11Ω 6A magnetic bead
我司物料编号 OUR PART NO	XRCB3216U110-6R0TF	我司品名 OUR PART NAME	Patch laminated ferrite beads

### 电性能参数

### Electrical performance parameters

Part Number 型号.	误差范围 Tolerance	标称阻抗 Impedance (Ω)	测试频率 Test frequency (M Hz)	直流电阻 DCR (Ω)Max	额定电流 Ir (mA)Max
XRCB3216U110-6R0TF	7~15Ω	11	100	0.01	6000

### 产品特性曲线图: Product Characteristic Curve



### 存储条件 Storage conditions

- (1) 存放货物的库房应满足以下条件: 温度:  $-10 \sim +40^{\circ}\text{C}$ , 相对湿度:  $30 \sim 70\%$ . The warehouse for storing goods shall meet the following conditions: temperature:  $-10 \sim +40^{\circ}\text{C}$  and relative humidity:  $30 \sim 70\%$ .
- (2) 禁止将产品保管在腐蚀性物质中, 否则将引起端头氧化, 导致降低焊接性。It is forbidden to store the product in corrosive substances, otherwise it will cause oxidation of the end and reduce the weldability.
- (3) 为了避免受潮气、灰尘等物质的影响, 产品应保管于货架上。In order to avoid the influence of moisture, dust and other substances, the product should be kept on the shelf.
- (4) 产品保管在库房中, 应避免热冲击、振动以及直接光照等等。When the products are stored in the warehouse, thermal shock, vibration and direct light should be avoided.
- (5) 产品应密封包装。Products should be sealed and packaged.

制表 MADE	审核 CHECKED	批准 APPROVED	
Hu Fangting	Rao0ing	LiZhengxiong	