



# 产品承认书 SPECIFICATION FOR APPROVAL

客户名称:

CUSTOMER

我司料号:

OUR PART NO.

XRCD73-101K

我司品名:

OUR PART NAME

SMD CD power Inductor

送样日期:

DATE SAMPLES

数量:

QUANTITY

## 制造确认 MANUFACTURER APPROVE

拟制 DRAWN	审核 CHECKED	确认 APPROVED
HuangHexiang	RaoPing	ZhongCuilan

## 客户确认 CUSTOMER APPROVE

客户名称 CUSTOMER NAME:

客户料号 CUSTOMER P/N:

规格型号 DESCRIPTION: CD73 100uH ±10%

检查结果:  合格  不合格

签名及盖章:

INSPECT RESULT ACCEPT REJECT

SIGNATURE AND STAMP

说明 REMARK:

如对本承认书内容有异议请提出或标记发送至我司, 本承认书在未收到异议回复时于本承认书提供一周后生效。

If you have any objection to the contents of this acknowledgment, please raise it or send the mark to us. The acknowledgment will become effective one week after the acknowledgment is provided in the absence of any objection.

东莞市祥如电子有限公司

DONGGUAN XIANGRU ELECTRONICS CO., LTD

Tel: 0769-86346548 Fax: 0769-86346358

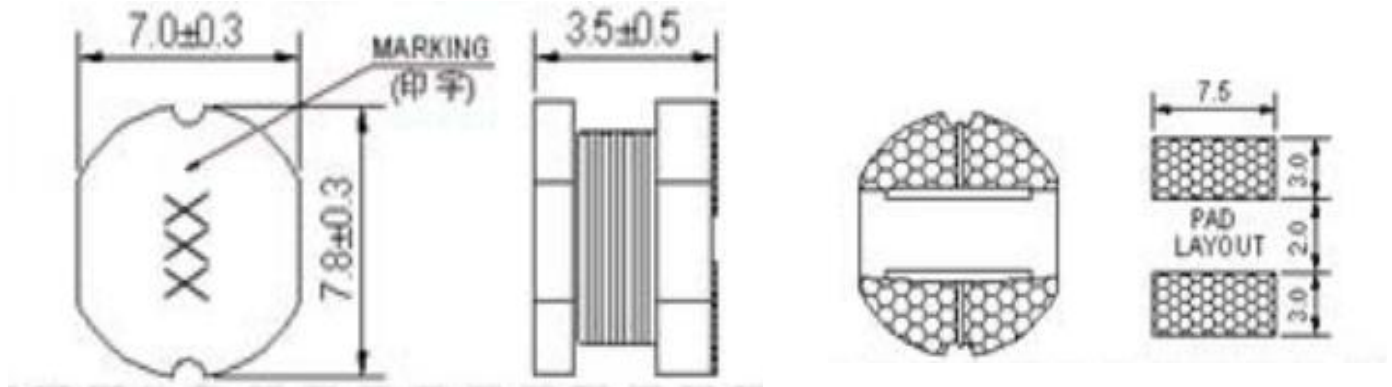
Mailbox: dgxiangru@126.com

## 产品承认书 SPECIFICATION FOR APPROVAL

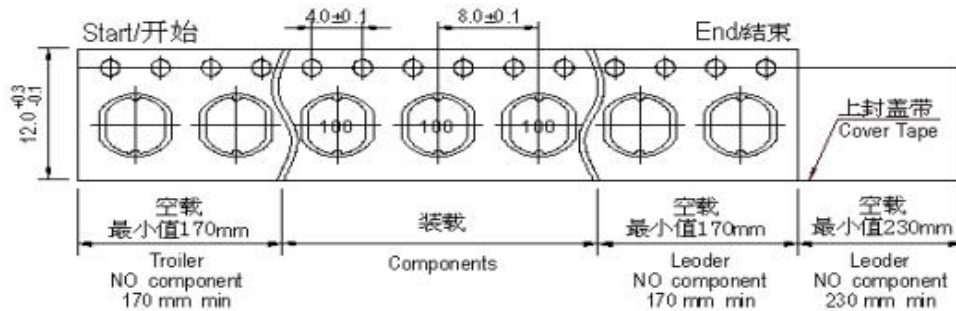
客户名称 CUSTOMER		日期 DATE	2024-06-21
客户物料编号 CUSTOMER P/N		客户规格型号 DESCRIPTION	CD73 100uH ±10%
我司物料编号 OUR PART NO	XRCD73-101K	我司品名 OUR PART NAME	SMD CD power Inductor

### 外观尺寸 Appearance of size

单位 Unit: mm



### Packaging/包装方式:



### 特征FEATURES:

1. 镀银型，低成本的设计。Silver plated type, Low cost design.
2. 具有高功率，强力高饱和电流。High power, high saturation inductors.
3. 适用于编带和自动电器表面安装。Available on tape and reel for auto surface mounting.
4. 适用于回流焊 SMT 工艺。Suitable for reflow soldering.
5. 广泛应用于升降压转换器、液晶显示、笔记本电脑、个人掌上记事本、MP3/MP4 播放器、数码相机、便携式光碟机等。Widely use in DC-DC converter /LCD TV/ Notebook/PDA/MP3-MP4player/Digitalcamera /Portable CDR-W etc.



祥如电子  
XIANGRU ELECTRONICS

# 产品承认书

## SPECIFICATION FOR APPROVAL

客户名称 CUSTOMER		日期 DATE	2024-06-21
客户物料编号 CUSTOMER P/N		客户规格型号 DESCRIPTION	CD73 100uH ±10%
我司物料编号 OUR PART NO	XRCD73-101K	我司品名 OUR PART NAME	SMD CD power Inductor

### 电性能参数

### Electrical performance parameters

Part Number 型号	Inductance (uH) 电感量	精度 precision (±)	测试条件 Test frequency	直流电阻 DCR(Ω)Max	额定电流 I <sub>rms</sub> (A)	
XRCD73-101K	100.0	10%	10 kHz, 0.25V	0.48	0.51	

Sans Plomb (SGS Certified Result)

本产品满足环境保护要求(有害物质限用):

Pb 铅	Cd 镉	Cd 汞	六价铬 Cr+6	多溴联苯 pBBs	多溴联醚 PBDES
<1000ppm	Nd	Nd	Nd	Nd	Nd

### 存储条件 Storage conditions

(1) 存放货物的库房应满足以下条件: 温度: -30℃~100℃, 相对湿度: -30℃~100℃。The warehouse for storing goods shall meet the following conditions: temperature: -30℃~100℃ and relative humidity: -30℃~100℃.

(2) 禁止将产品保管在腐蚀性物质中, 否则将引起端头氧化, 导致降低焊接性。It is forbidden to store the product in corrosive substances, otherwise it will cause oxidation of the end and reduce the weldability.

(3) 为了避免受潮气、灰尘等物质的影响, 产品应保管于货架上。In order to avoid the influence of moisture, dust and other substances, the product should be kept on the shelf.

(4) 产品保管在库房中, 应避免热冲击、振动以及直接光照等等。When the products are stored in the warehouse, thermal shock, vibration and direct light should be avoided.

(5) 产品属于易碎品, 谨防高处跌落。The product is fragile, so beware of falling from a height.

制表 MADE	审核 CHECKED	批准 APPROVED	
HuangHexiang	RaoPing	ZhongCuilan	