



产品承认书 SPECIFICATION FOR APPROVAL

客户名称:

CUSTOMER

我司料号:

OUR PART NO.

XRDO3340-680M

我司品名:

OUR PART NAME

Unshielded SMD Power Inductors

送样日期:

DATE SAMPLES

数量:

QUANTITY

制造确认 MANUFACTURER APPROVE

拟制 DRAWN	审核 CHECKED	确认 APPROVED
HuangHexiang	RaoPing	ZhongCuilan

客户确认 CUSTOMER APPROVE

客户名称 CUSTOMER NAME:

客户料号 CUSTOMER P/N:

规格型号 DESCRIPTION: DO3340 68uH ±20% 3A

检查结果: 合格 不合格

签名及盖章:

INSPECT RESULT ACCEPT REJECT

SIGNATURE AND STAMP

说明 REMARK:

如对本承认书内容有异议请提出或标记发送至我司, 本承认书在未收到异议回复时于本承认书提供一周后生效。

If you have any objection to the contents of this acknowledgment, please raise it or send the mark to us. The acknowledgment will become effective one week after the acknowledgment is provided in the absence of any objection.

东莞市祥如电子有限公司

DONGGUAN XIANGRU ELECTRONICS CO., LTD

Tel: 0769-86346548 Fax: 0769-86346358

Mailbox: dgxiangru@126.com

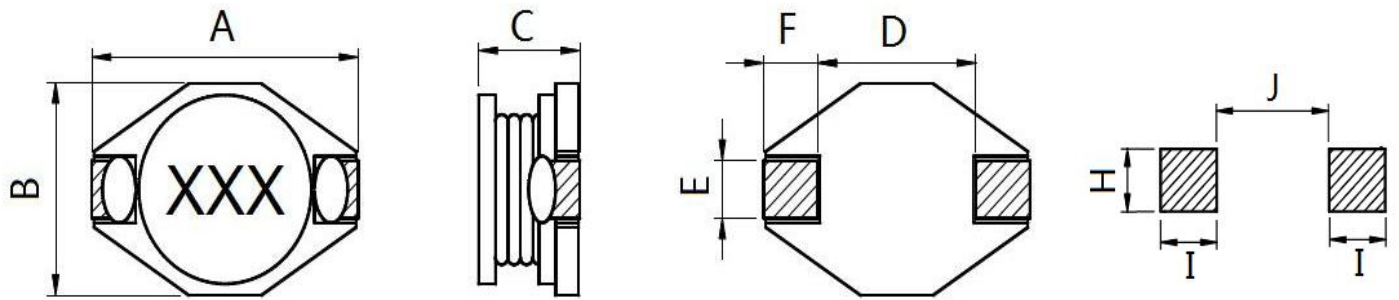
产品承认书

SPECIFICATION FOR APPROVAL

客户名称 CUSTOMER		日期 DATE	2024-06-21
客户物料编号 CUSTOMER P/N		客户规格型号 DESCRIPTION	DO3340 68uH ±20% 3A
我司物料编号 OUR PART NO	XRDO3340-680M	我司品名 OUR PART NAME	Unshielded SMD Power Inductors

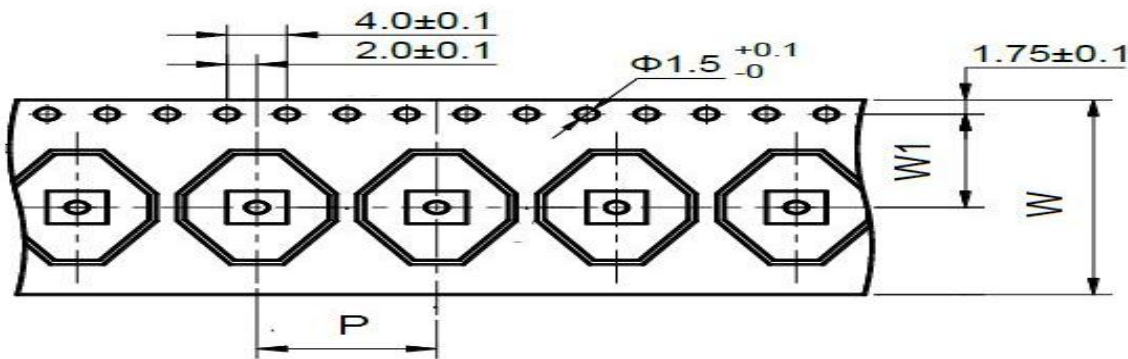
外观尺寸 Appearance of size

单位 Unit: mm



TYPE	A	B	C	D	E	F	H	I	J	印字 lettering
XRDO3340	12.95 ± 0.3	9.4 ± 0.3	11.43 ± 0.3	7.62	2.54	2.54	2.79	2.92	7.37	680

Tape Dimension (mm)



Type	Tape Dimension			Reel Dimensions			
	W	P	W1	A	B	C	D
XRDO3340	24	20	11.5	24.4	100	13	330



产品承认书

SPECIFICATION FOR APPROVAL

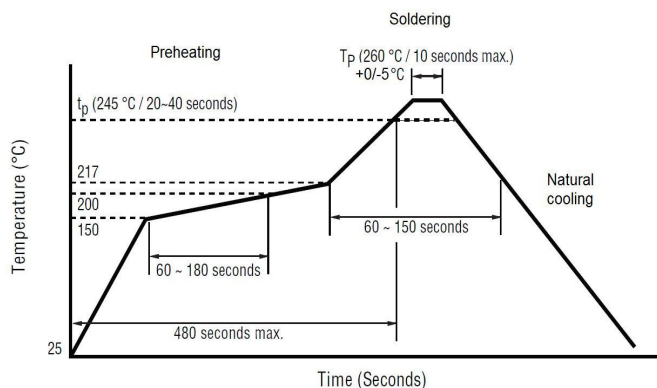
客户名称 CUSTOMER		日期 DATE	2024-06-21
客户物料编号 CUSTOMER P/N		客户规格型号 DESCRIPTION	DO3340 68uH ±20% 3A
我司物料编号 OUR PART NO	XRDO3340-680M	我司品名 OUR PART NAME	Unshielded SMD Power Inductors

电性能参数

Electrical performance parameters

型号 Part No	电感量 Inductance			SRF	直流电阻DCR	饱和电流 Saturation	Temperature Rise Current
	L(μH) '@0A	Tole	Test Freq	MHz Typ	(Ω) Max	(A) Max	(A) Max
XRDO3340	68	M	100KHz	7	0.17	3.0	1.2

Recommended reflow soldering curve:



存储条件 Storage conditions

(1) 存放货物的库房应满足以下条件：温度：5~40°C, 相对湿度：35 ~ 66%。The warehouse for storing goods shall meet the following conditions: temperature:5~40°C and relative humidity: 35 ~ 66%.

(2) 禁止将产品保管在腐蚀性物质中，否则将引起端头氧化，导致降低焊接性。It is forbidden to store the product in corrosive substances, otherwise it will cause oxidation of the end and reduce the weldability.

(3) 为了避免受潮气、灰尘等物质的影响，产品应保管于货架上。In order to avoid the influence of moisture, dust and other substances, the product should be kept on the shelf.

(4) 产品保管在库房中，应避免热冲击、振动以及直接光照等等。When the products are stored in the warehouse, thermal shock, vibration and direct light should be avoided.

(5) 产品属于易碎品，谨防高处跌落。The product is fragile, so beware of falling from a height.

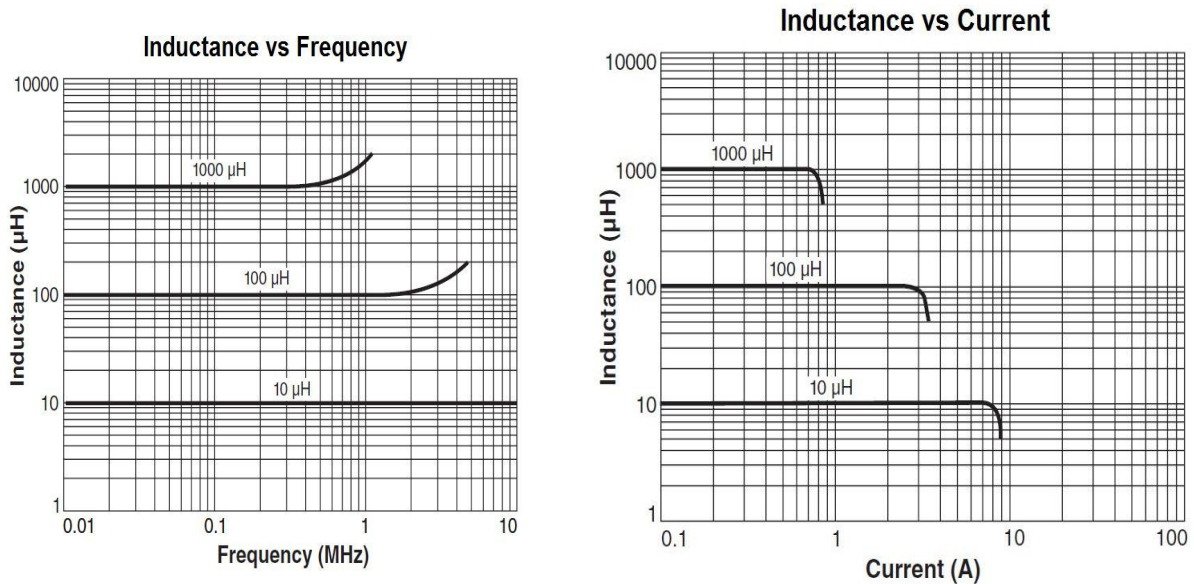
制表 MADE	审核 CHECKED	批准 APPROVED	
HuangHexiang	RaoPing	ZhongCuilan	



产品承认书 SPECIFICATION FOR APPROVAL

客户名称 CUSTOMER		日期 DATE	2024-06-21
客户物料编号 CUSTOMER P/N		客户规格型号 DESCRIPTION	DO3340 68uH ±20% 3A
我司物料编号 OUR PART NO	XRDO3340-680M	我司品名 OUR PART NAME	Unshielded SMD Power Inductors

● Frequency VS Saturation current:



特点:		Features:	
● 具有高功率, 高饱和和低直流电阻		● High power, High saturation , Low resistance	
● 非屏蔽功率电感		● Unshielded power inductor	
● 适用于表面贴装设备		● Suitable for surface mounting equipment	
● 多种封装尺寸和宽电感范围		● Various package size and wide inductance range	
● 符合 RoHS, 无卤和 REACH		● RoHS, Halogen Free and REACH Compliance	
制表 MADE	审核 CHECKED	批准 APPROVED	
HuangHexiang	RaoPing	ZhongCuilan	