



产品承认书 SPECIFICATION FOR APPROVAL

客户名称: CUSTOMER _____
我司料号: XRSQ1212-4mH-H-1013
OUR PART NO. _____
我司品名: SQ flat wire inductor
OUR PART NAME _____
送样日期: _____ 数量: 0PCS
DATE SAMPLES _____ QUANTITY _____

制造确认 MANUFACTURER APPROVE		
拟制 DRAWN	审核 CHECKED	确认 APPROVED
Hufangting	Raoping	Lizhengxiang

客户确认 CUSTOMER APPROVE

客户名称 CUSTOMER NAME: _____
客户料号 CUSTOMER P/N: _____
规格型号 DESCRIPTION: SQ1212-4mH Horizontal with 10*13 pin pitch
检查结果: 合格 不合格 签名及盖章: _____
INSPECT RESULT ACCEPT REJECT SIGNATURE AND STAMP
说明 REMARK: _____

如对本承认书内容有异议请提出或标记发送至我司，本承认书在未收到异议回复时于本承认书提供一周后生效。

If you have any objection to the contents of this acknowledgment, please raise it or send the mark to us. The acknowledgment will become effective one week after the acknowledgment is provided in the absence of any objection.

东莞市祥如电子有限公司

Dongguan Xiangru Electronics Co., Ltd

Tel: 0769-86346548 Fax: 0769-86346358

Email: dgxiangru@126.com



东莞市祥如电子有限公司

SPECIFICATION FOR APPROVAL

CUSTOMER _____
CUSTOMER 'S PART NO _____ VER _____ A
DESCRIPTION SQ1212-4mH Horizontal with 10*13 pin pitch OUR DRAWING NO XRSQ1212-4mH-H-1013

A REVISION HISTORY

DATE OF	REVISED PROJECT	EDITION	NOTE
2019/07/22	NEEW VERSION	A	
2024/07/19	REVISION		

PPROVED BY	CHECKED BY	PREPARED BY	UNIT	mm
Li Zhengxi ong	TangWen	Hu Fangting	DATE	2024/07/19
			REV NO.	A

东莞市祥如电子有限公司

SPECIFICATION FOR APPROVAL

CUSTOMER _____

CUSTOMER 'S PART NO _____

VER _____

A

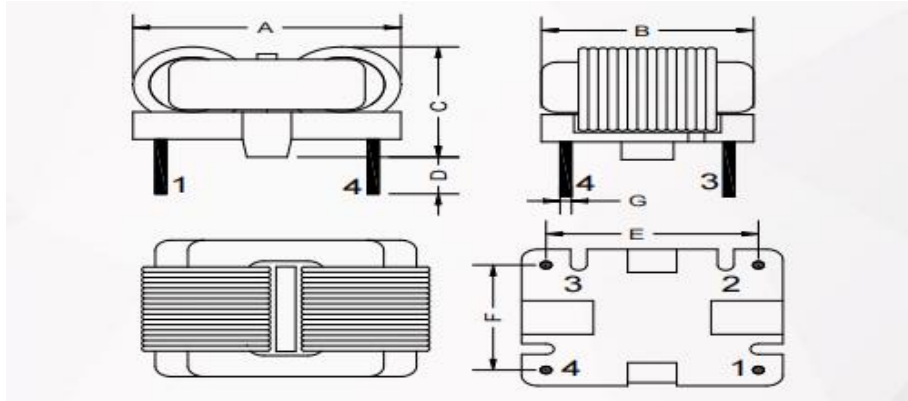
DESCRIPTION

SQ1212-4mH Horizontal with 10*13 pin pitch

OUR DRAWING NO _____

XRSQ1212-4mH-H-1013

1. APPEARANCE & DIMENSION (UNIT: mm):



A	B	C	D	E	F	G
17.5MAX	15MAX	11.5MAX	3.5REF	13±0.5	10±0.5	0.6±0.1

NOTE:

1. 产品共模绕制。

Product common mode winding

2. 产品需含浸凡立水固定。

The product needs to be impregnated with varnish for fixing

3. 焊点不可高于底座支点。

The solder joints must not be higher than the base support points.

PPROVED BY	CHECKED BY	PREPARED BY	UNIT	mm
Li Zhengxi ong	TangWen	Hu Fangting	DATE	2024/07/19
			REV NO.	A



东莞市祥如电子有限公司

SPECIFICATION FOR APPROVAL

CUSTOMER _____

CUSTOMER 'S PART NO _____

VER _____

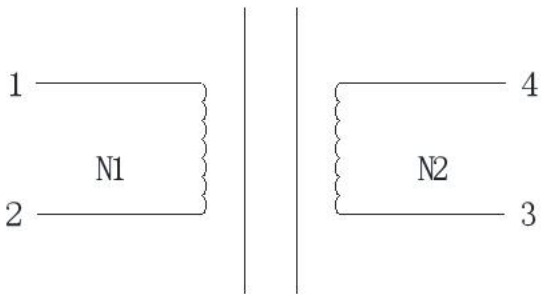
A

DESCRIPTION SQ1212-4mH Horizontal with 10*13 pin pitch

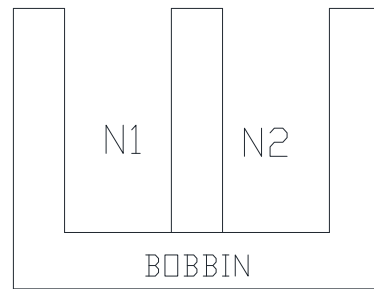
OUR DRAWING NO _____

XRSQ1212-4mH-H-1013

2. SCHEMATIC:



3. WINDING SEQUENCE:



4. WINDING TABLE

ORDER	WIRE SIZE	START	END	TURNS	LAYER	INSULATION	
N1	0.25t×1.0mm UEWH FlstWire	1	2	24TS (REF)	CLOSE		
N2	0.25t×1.0mm UEWH FlstWire	4	3	24TS (REF)	CLOSE		

PPROVED BY	CHECKED BY	PREPARED BY	UNIT	mm
Li Zhengxi ong	TangWen	Hu Fangting	DATE	2024/07/19
			REV NO.	A



东莞市祥如电子有限公司

SPECIFICATION FOR APPROVAL

CUSTOMER _____

CUSTOMER 'S PART NO _____

VER _____

A

DESCRIPTION SQ1212-4mH Horizontal with 10*13 pin pitch OUR DRAWING NO XRSQ1212-4mH-H-1013

6. MATERIAL LIST:

No	ITEM	MATERIAL	CLASS	UL NO.	MANUFACTURER	OPT.
1	CORE	SQ1212 12K			ACMEElectronics (Guangzhou) Co;Ltd	√
		SQ1212 12K			SHANGDONG hengrui magnet technology CO.,LTD	√
		SQ1212 12K			DongGuan City JiuXin Magnetic Material Co.,Ltd	√
		SQ1212 12K			TengZhou MingJi Magnetism Industry Co., Ltd.	√
2	BOBBIN	T375HF	150°C	E59481	CHANG CHUN PLASTICS CO LTD	√
3	WIRE	@* FIWx180	180°C	E234867	SUNTEK HOLDINGS LIMITED	√
		@* UEW180	180°C	E504985	Guangdong Lizewire Electric Technology Co Ltd	√
4	VARNISH	E962	130°C	E335405	ZHUHAI CHANGXIAN NEW MATERIALS TECHNOLOGY CO LTD	√
5	tin	wuxi conditions /Sn99.9			Dongguan City Thousand Island METAL Foil CO LTD	√

Page6/7

PPROVED BY	CHECKED BY	PREPARED BY	UNIT	mm
Li Zhengxi ong	Tang Wen	Hu Fangting	DATE	2024/07/19
			REV NO.	A



东莞市祥如电子有限公司

SPECIFICATION FOR APPROVAL

CUSTOMER _____

CUSTOMER 'S PART NO _____

VER _____

A

DESCRIPTION SQ1212-4mH Horizontal with 10*13 pin pitch OUR DRAWING NO _____

XRSQ1212-4mH-H-1013

7. THE INSPECTION REPORT

ITEM	TEXT SPEC.	1	2	3	4	5
L 值(1-2)	4mH MIN 1KHZ 0.25V 25°	10.22	9.45	11.23	9.36	8.55
L 值(3-4)	4mH MIN 1KHZ 0.25V 25°	10.22	9.45	11.23	9.36	8.55
DCR 值(1-2)	80m Ω MAX AT 25°C	OK	OK	OK	OK	OK
DCR 值(3-4)	80m Ω MAX AT 25°C	OK	OK	OK	OK	OK
HI-POT AC50/60Hz 5mA 3sec	COIL-COIL:1500V	OK	OK	OK	OK	OK
	COLI-CORE:1000V	OK	OK	OK	OK	OK

TEST EQUIPMENT

INDUCTANCE	HI-POT	DC. R
CH-3250: ()	E-SUN-19053 (√)	CH-502BC (√)
CH-1062: (√)		
CH-101: ()		

PPROVED BY	CHECKED BY	PREPARED BY	UNIT	mm
Li Zhenxiong	Tang Wen	Hu Fangting	DATE	2024/07/19
			REV NO.	A