



# 产品承认书 SPECIFICATION FOR APPROVAL

客户名称: CUSTOMER \_\_\_\_\_  
我司料号: XRSQ1515-2mH-V-1013  
OUR PART NO. \_\_\_\_\_  
我司品名: SQ flat wire inductor  
OUR PART NAME \_\_\_\_\_  
送样日期: \_\_\_\_\_ 数量: 0PCS  
DATE SAMPLES \_\_\_\_\_ QUANTITY \_\_\_\_\_

| 制造确认 MANUFACTURER APPROVE |            |               |
|---------------------------|------------|---------------|
| 拟制 DRAWN                  | 审核 CHECKED | 确认 APPROVED   |
| Hu Fangting               | Tang wen   | Li Zhengxiong |

客户确认 CUSTOMER APPROVE

客户名称 CUSTOMER NAME: \_\_\_\_\_  
客户料号 CUSTOMER P/N: \_\_\_\_\_  
规格型号 DESCRIPTION: SQ1515-2mH Vertical with 10\*13 pin pitch

检查结果:  合格  不合格 签名及盖章: \_\_\_\_\_  
INSPECT RESULT ACCEPT REJECT SIGNATURE AND STAMP

说明 REMARK: \_\_\_\_\_

如对本承认书内容有异议请提出或标记发送至我司，本承认书在未收到异议回复时于本承认书提供一周后生效。

If you have any objection to the contents of this acknowledgment, please raise it or send the mark to us. The acknowledgment will become effective one week after the acknowledgment is provided in the absence of any objection.

东莞市祥如电子有限公司

Dongguan Xiangru Electronics Co., Ltd

Tel: 0769-86346548 Fax: 0769-86346358

Email: dgxiangru@126.com



# 东莞市祥如电子有限公司

## SPECIFICATION FOR APPROVAL

CUSTOMER \_\_\_\_\_  
CUSTOMER 'S PART NO \_\_\_\_\_ VER \_\_\_\_\_ A  
DESCRIPTION SQ1515-2mH Vertical with 10\*13 pin pitch OUR DRAWING NO XRSQ1515-2mH-V-1013

### A REVISION HISTORY

| DATE OF    | REVISED PROJECT | EDITION | NOTE |
|------------|-----------------|---------|------|
| 2019/07/22 | NEEW VERSION    | A       |      |
| 2024/07/19 | REVISION        |         |      |
|            |                 |         |      |
|            |                 |         |      |
|            |                 |         |      |

Page2/7

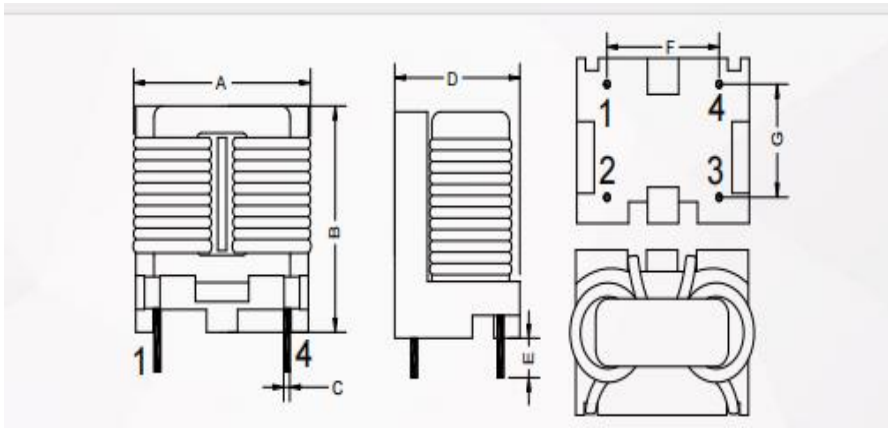
| PPROVED BY     | CHECKED BY | PREPARED BY | UNIT    | mm         |
|----------------|------------|-------------|---------|------------|
| Li Zhengxi ong | TangWen    | Hu Fangting | DATE    | 2024/07/19 |
|                |            |             | REV NO. | A          |

# 东莞市祥如电子有限公司

## SPECIFICATION FOR APPROVAL

CUSTOMER \_\_\_\_\_  
 CUSTOMER 'S PART NO \_\_\_\_\_ VER \_\_\_\_\_ A  
 DESCRIPTION SQ1515-2mH Vertical with 10\*13 pin pitch OUR DRAWING NO \_\_\_\_\_ XRSQ1515-2mH-V-1013

1. APPEARANCE & DIMENSION (UNIT: mm):



| A       | B       | C       | D       | E       | F        | G      |
|---------|---------|---------|---------|---------|----------|--------|
| 21.5MAX | 20.5MAX | 0.6±0.1 | 15.5MAX | 3.5±0.5 | 12.8±0.5 | 10±0.5 |

NOTE:

1. 产品共模绕制。  
Product common mode winding
2. 产品需含浸凡立水固定。  
The product needs to be impregnated with varnish for fixing
3. 焊点不可高于底座支点。  
The solder joints must not be higher than the base support points.

| PPROVED BY     | CHECKED BY | PREPARED BY | UNIT    | mm         |
|----------------|------------|-------------|---------|------------|
| Li Zhengxi ong | TangWen    | Hu Fangting | DATE    | 2024/07/19 |
|                |            |             | REV NO. | A          |



# 东莞市祥如电子有限公司

## SPECIFICATION FOR APPROVAL

CUSTOMER \_\_\_\_\_

CUSTOMER 'S PART NO \_\_\_\_\_

VER \_\_\_\_\_

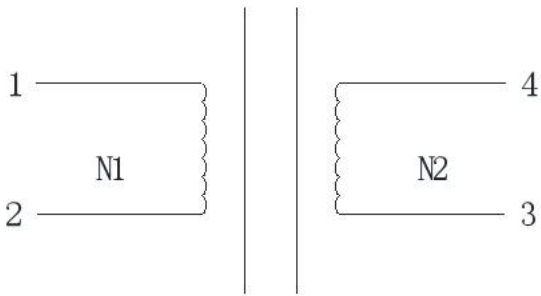
A

DESCRIPTION SQ1515-2mH Vertical with 10\*13 pin pitch

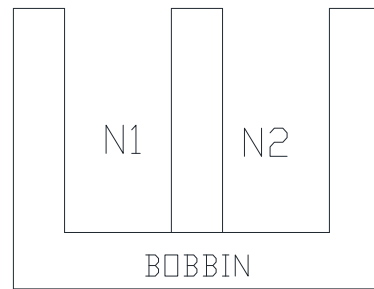
OUR DRAWING NO \_\_\_\_\_

XRSQ1515-2mH-V-1013

2. SCHEMATIC:



3. WINDING SEQUENCE:



4. WINDING TABLE

| ORDER | WIRE SIZE                 | START | END | TURNS      | LAYER | INSULATION |  |
|-------|---------------------------|-------|-----|------------|-------|------------|--|
| N1    | 0.40t×1.5mm UEWH FlstWire | 1     | 2   | 22TS (REF) | CLOSE |            |  |
| N2    | 0.40t×1.5mm UEWH FlstWire | 4     | 3   | 22TS (REF) | CLOSE |            |  |
|       |                           |       |     |            |       |            |  |
|       |                           |       |     |            |       |            |  |
|       |                           |       |     |            |       |            |  |
|       |                           |       |     |            |       |            |  |
|       |                           |       |     |            |       |            |  |
|       |                           |       |     |            |       |            |  |

| PPROVED BY     | CHECKED BY | PREPARED BY | UNIT    | mm         |
|----------------|------------|-------------|---------|------------|
| Li Zhengxi ong | TangWen    | Hu Fangting | DATE    | 2024/07/19 |
|                |            |             | REV NO. | A          |





# 东莞市祥如电子有限公司

## SPECIFICATION FOR APPROVAL

CUSTOMER \_\_\_\_\_

CUSTOMER 'S PART NO \_\_\_\_\_

VER \_\_\_\_\_

A

DESCRIPTION S01515-2mH Vertical with 10\*13 pin pitch OUR DRAWING NO \_\_\_\_\_

XRSQ1515-2mH-V-1013

6. MATERIAL LIST:

| No | ITEM    | MATERIAL                | CLASS | UL NO.  | MANUFACTURER                                     | OPT. |
|----|---------|-------------------------|-------|---------|--|------|
| 1  | CORE    | SQ1515 12K              |       |         | ACMEElectronics (Guangzhou) Co;Ltd               | √    |
|    |         | SQ1515 12K              |       |         | SHANGDONG hengrui magnet technology CO.,LTD      | √    |
|    |         | SQ1515 12K              |       |         | DongGuan City JiuXin Magnetic Material Co.,Ltd   | √    |
|    |         | SQ1515 12K              |       |         | TengZhou MingJi Magnetism Industry Co., Ltd.     | √    |
| 2  | BOBBIN  | T375HF                  | 150°C | E59481  | CHANG CHUN PLASTICS CO LTD                       | √    |
| 3  | WIRE    | @* FIWx180              | 180°C | E234867 | SUNTEK HOLDINGS LIMITED                          | √    |
|    |         | @* UEW180               | 180°C | E504985 | Guangdong Lizewire Electric Technology Co Ltd    | √    |
| 4  | VARNISH | E962                    | 130°C | E335405 | ZHUHAI CHANGXIAN NEW MATERIALS TECHNOLOGY CO LTD | √    |
| 5  | tin     | wuxi conditions /Sn99.9 |       |         | Dongguan City Thousand Island METAL Foil CO LTD  | √    |
|    |         |                         |       |         |  |      |

| PPROVED BY     | CHECKED BY | PREPARED BY | UNIT    | mm         |
|----------------|------------|-------------|---------|------------|
| Li Zhengxi ong | Tang Wen   | Hu Fangting | DATE    | 2024/07/19 |
|                |            |             | REV NO. | A          |



# 东莞市祥如电子有限公司

## SPECIFICATION FOR APPROVAL

CUSTOMER \_\_\_\_\_

CUSTOMER 'S PART NO \_\_\_\_\_

VER \_\_\_\_\_

A

DESCRIPTION SQ1515-2mH Vertical with 10\*13 pin pitch

OUR DRAWING NO \_\_\_\_\_

XRSQ1515-2mH-V-1013

### 7. THE INSPECTION REPORT

| ITEM                            | TEXT SPEC.             | 1    | 2    | 3    | 4    | 5    |
|---------------------------------|------------------------|------|------|------|------|------|
| L 值(1-2)                        | 2mH MIN 1KHZ 0.25V 25° | 7.22 | 7.45 | 8.23 | 9.36 | 9.55 |
| L 值(3-4)                        | 2mH MIN 1KHZ 0.25V 25° | 7.22 | 7.45 | 8.23 | 9.36 | 9.55 |
|                                 |                        |      |      |      |      |      |
|                                 |                        |      |      |      |      |      |
|                                 |                        |      |      |      |      |      |
| DCR 值(1-2)                      | 30m Ω MAX AT 25°C      | OK   | OK   | OK   | OK   | OK   |
| DCR 值(3-4)                      | 30m Ω MAX AT 25°C      | OK   | OK   | OK   | OK   | OK   |
|                                 |                        |      |      |      |      |      |
|                                 |                        |      |      |      |      |      |
|                                 |                        |      |      |      |      |      |
|                                 |                        |      |      |      |      |      |
|                                 |                        |      |      |      |      |      |
| HI-POT<br>AC50/60Hz<br>5mA 3sec | COIL-COIL:1500V        | OK   | OK   | OK   | OK   | OK   |
|                                 | COLI-CORE:1000V        | OK   | OK   | OK   | OK   | OK   |

### TEST EQUIPMENT

| INDUCTANCE     | HI-POT            | DC. R          |
|----------------|-------------------|----------------|
| CH-3250: ( )   | E-SUN-19053 ( ✓ ) | CH-502BC ( ✓ ) |
| CH-1062: ( ✓ ) |                   |                |
| CH-101: ( )    |                   |                |

| PPROVED BY   | CHECKED BY | PREPARED BY | UNIT    | mm         |
|--------------|------------|-------------|---------|------------|
| Li Zhenxiong | Tang Wen   | Hu Fangting | DATE    | 2024/07/19 |
|              |            |             | REV NO. | A          |