



# 产品承认书 SPECIFICATION FOR APPROVAL

客户名称: CUSTOMER \_\_\_\_\_  
我司料号: XRSQ2418-12mH-H-21225  
OUR PART NO. \_\_\_\_\_  
我司品名: SQ flat wire inductor  
OUR PART NAME \_\_\_\_\_  
送样日期: \_\_\_\_\_ 数量: 0PCS  
DATE SAMPLES \_\_\_\_\_ QUANTITY \_\_\_\_\_

制造确认 MANUFACTURER APPROVE		
拟制 DRAWN	审核 CHECKED	确认 APPROVED
Hu Fangting	Tang wen	Li Zhengxiong

**客户确认 CUSTOMER APPROVE**

客户名称 CUSTOMER NAME: \_\_\_\_\_  
客户料号 CUSTOMER P/N: \_\_\_\_\_  
规格型号 DESCRIPTION: SQ2418-12mH Horizontal with 21\*22.5 pin pitch  
检查结果:  合格  不合格 签名及盖章: \_\_\_\_\_  
INSPECT RESULT ACCEPT REJECT SIGNATURE AND STAMP  
说明 REMARK: \_\_\_\_\_

如对本承认书内容有异议请提出或标记发送至我司，本承认书在未收到异议回复时于本承认书提供一周后生效。

If you have any objection to the contents of this acknowledgment, please raise it or send the mark to us. The acknowledgment will become effective one week after the acknowledgment is provided in the absence of any objection.

东莞市祥如电子有限公司

Dongguan Xiangru Electronics Co., Ltd

Tel: 0769-86346548 Fax: 0769-86346358

Email: dgxiangru@126.com



# 东莞市祥如电子有限公司

## SPECIFICATION FOR APPROVAL

CUSTOMER \_\_\_\_\_

CUSTOMER 'S PART NO \_\_\_\_\_

VER \_\_\_\_\_ A

DESCRIPTION SQ2418-12mH Horizontal with 21\*22.5 pin pitch OUR DRAWING NO XRSQ2418-12mH-H-21225

### A REVISION HISTORY

DATE OF	REVISED PROJECT	EDITION	NOTE
2019/07/22	NEEW VERSION	A	
2024/07/19	REVISION		

Page2/7

PPROVED BY	CHECKED BY	PREPARED BY	UNIT	mm
Li Zhengxi ong	TangWen	Hu Fangting	DATE	2024/07/19
			REV NO.	A

# 东莞市祥如电子有限公司

## SPECIFICATION FOR APPROVAL

CUSTOMER \_\_\_\_\_

CUSTOMER 'S PART NO \_\_\_\_\_

VER \_\_\_\_\_

A \_\_\_\_\_

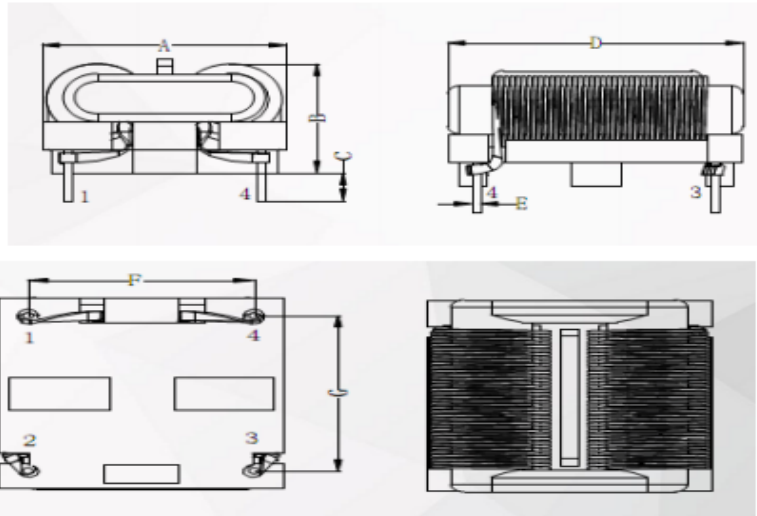
DESCRIPTION \_\_\_\_\_

S02418-12mH Horizontal with 21\*22.5 pin pitch

OUR DRAWING NO \_\_\_\_\_

XRSQ2418-12mH-H-21225

### 1. APPEARANCE & DIMENSION (UNIT: mm):



A	B	C	D	E	F	G	H
24MAX	16MAX	3.5MAX	27REF	0.8±0.1	21±0.5	22.5±0.5	

#### NOTE:

1. 产品共模绕制。

Product common mode winding

2. 产品需含浸凡立水固定。

The product needs to be impregnated with varnish for fixing

3. 焊点不可高于底座支点。

The solder joints must not be higher than the base support points.

PPROVED BY	CHECKED BY	PREPARED BY	UNIT	mm
Li Zhengxi ong	TangWen	Hu Fangting	DATE	2024/07/19
			REV NO.	A



# 东莞市祥如电子有限公司

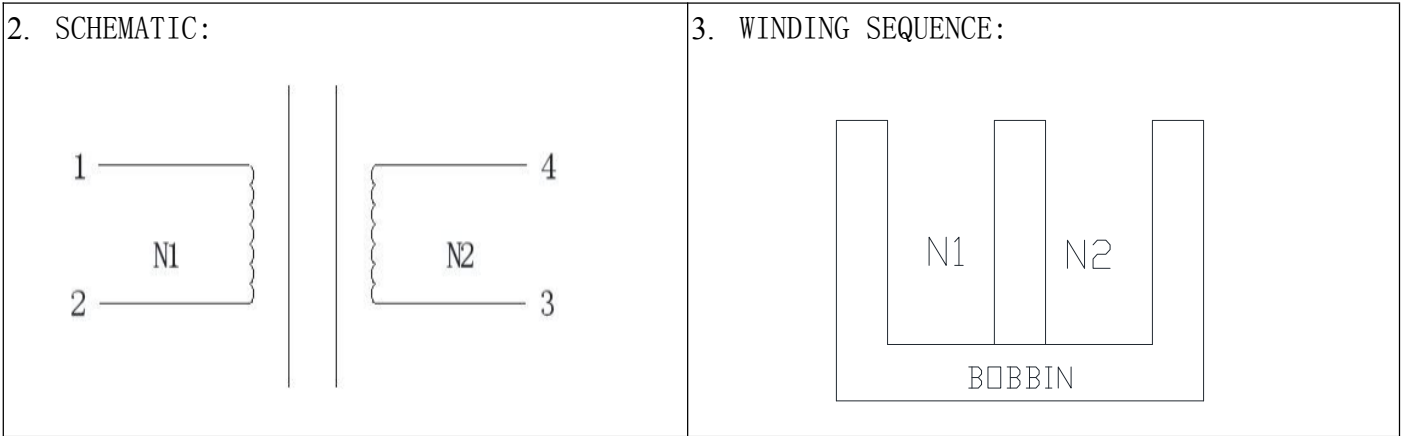
## SPECIFICATION FOR APPROVAL

CUSTOMER \_\_\_\_\_

CUSTOMER 'S PART NO \_\_\_\_\_

VER \_\_\_\_\_ A

DESCRIPTION SQ2418-12mH Horizontal with 21\*22.5 pin pitch OUR DRAWING NO XRSQ2418-12mH-H-21225



4. WINDING TABLE

ORDER	WIRE SIZE	START	END	TURNS	LAYER	INSULATION	
N1	0.2t×1.5mm UEWH FlstWire	1	2	58TS ( REF )	CLOSE		
N2	0.2t×1.5mm UEWH FlstWire	4	3	58TS ( REF )	CLOSE		

PPROVED BY	CHECKED BY	PREPARED BY	UNIT	mm
Li Zhengxi ong	TangWen	Hu Fangting	DATE	2024/07/19
			REV NO.	A





# 东莞市祥如电子有限公司

## SPECIFICATION FOR APPROVAL

CUSTOMER \_\_\_\_\_

CUSTOMER 'S PART NO \_\_\_\_\_

VER \_\_\_\_\_

A \_\_\_\_\_

DESCRIPTION S02418-12mH Horizontal with 21\*22.5 pin pitch OUR DRAWING NO XRSQ2418-12mH-H-21225

### 6. MATERIAL LIST:

No	ITEM	MATERIAL	CLASS	UL NO.	MANUFACTURER	OPT.
1	CORE	SQ2418 12K			ACMEElectronics (Guangzhou) Co;Ltd	√
		SQ2418 12K			SHANGDONG hengrui magnet technology CO.,LTD	√
		SQ2418 12K			DongGuan City JiuXin Magnetic Material Co.,Ltd	√
		SQ2418 12K			TengZhou MingJi Magnetism Industry Co., Ltd.	√
2	BOBBIN	T375HF	150°C	E59481	CHANG CHUN PLASTICS CO LTD	√
3	WIRE	@* FIWx180	180°C	E234867	SUNTEK HOLDINGS LIMITED	√
		@* UEW180	180°C	E504985	Guangdong Lizewire Electric Technology Co Ltd	√
4	VARNISH	E962	130°C	E335405	ZHUHAI CHANGXIAN NEW MATERIALS TECHNOLOGY CO LTD	√
5	tin	wuxi conditions /Sn99.9			Dongguan City Thousand Island METAL Foil CO LTD	√

Page6/7

PPROVED BY	CHECKED BY	PREPARED BY	UNIT	mm
Li Zhengxi ong	Tang Wen	Hu Fangting	DATE	2024/07/19
			REV NO.	A



# 东莞市祥如电子有限公司

## SPECIFICATION FOR APPROVAL

CUSTOMER \_\_\_\_\_

CUSTOMER 'S PART NO \_\_\_\_\_

VER \_\_\_\_\_

A

DESCRIPTION S02418-12mH Horizontal with 21\*22.5 pin pitch OUR DRAWING NO XRSQ2418-12mH-H-21225

### 7. THE INSPECTION REPORT

ITEM	TEXT SPEC.	1	2	3	4	5
L 值(1-2)	12mH MIN 1KHZ 0.25V 25°	15.6	14.3	15.2	16.5	15.8
L 值(3-4)	12mH MIN 1KHZ 0.25V 25°	15.6	14.3	15.2	16.5	15.8
DCR 值(1-2)	120mΩ MAX AT 25°C	OK	OK	OK	OK	OK
DCR 值(3-4)	120mΩ MAX AT 25°C	OK	OK	OK	OK	OK
HI-POT AC50/60Hz 5mA 3sec	COIL-COIL:1500V	OK	OK	OK	OK	OK
	COLI-CORE:1000V	OK	OK	OK	OK	OK

### TEST EQUIPMENT

INDUCTANCE	HI-POT	DC. R
CH-3250: ( )	E-SUN-19053 ( √ )	CH-502BC ( √ )
CH-1062: ( √ )		
CH-101: ( )		

PPROVED BY	CHECKED BY	PREPARED BY	UNIT	mm
Li Zhenxiong	Tang Wen	Hu Fangting	DATE	2024/07/19
			REV NO.	A