



# 产品承认书 SPECIFICATION FOR APPROVAL

客户名称:

CUSTOMER

我司料号:

OUR PART NO.

XR2213A-8R2M

我司品名:

OUR PART NAME

MOLDING POWER CHOKE

送样日期:

DATE SAMPLES

数量:

QUANTITY

## 制造确认 MANUFACTURER APPROVE

拟制 DRAWN	审核 CHECKED	确认 APPROVED
Hufangting	RaoPing	ZhongCuilan

## 客户确认 CUSTOMER APPROVE

客户名称 CUSTOMER NAME:

客户料号 CUSTOMER P/N:

XR2213A 8.2uH ±20% 30A

规格型号 DESCRIPTION:

检查结果:  合格  不合格

签名及盖章:

INSPECT RESULT ACCEPT REJECT

SIGNATURE AND STAMP

说明 REMARK:

如对本承认书内容有异议请提出或标记发送至我司, 本承认书在未收到异议回复时于本承认书提供一周后生效。

If you have any objection to the contents of this acknowledgment, please raise it or send the mark to us. The acknowledgment will become effective one week after the acknowledgment is provided in the absence of any objection.

东莞市祥如电子有限公司

DONGGUAN XIANGRU ELECTRONICS CO., LTD

Tel: 0769-86346548 Fax: 0769-86346358

Email: dgxiangru@126.com

■ A系列功率电感  
A SERIES SMD POWER INDUCTORS

●特征 FEATURES:

- .超薄 Low profile.
- .屏蔽结构 Magnetic shielded.
- .适合表面贴装 SMT type.

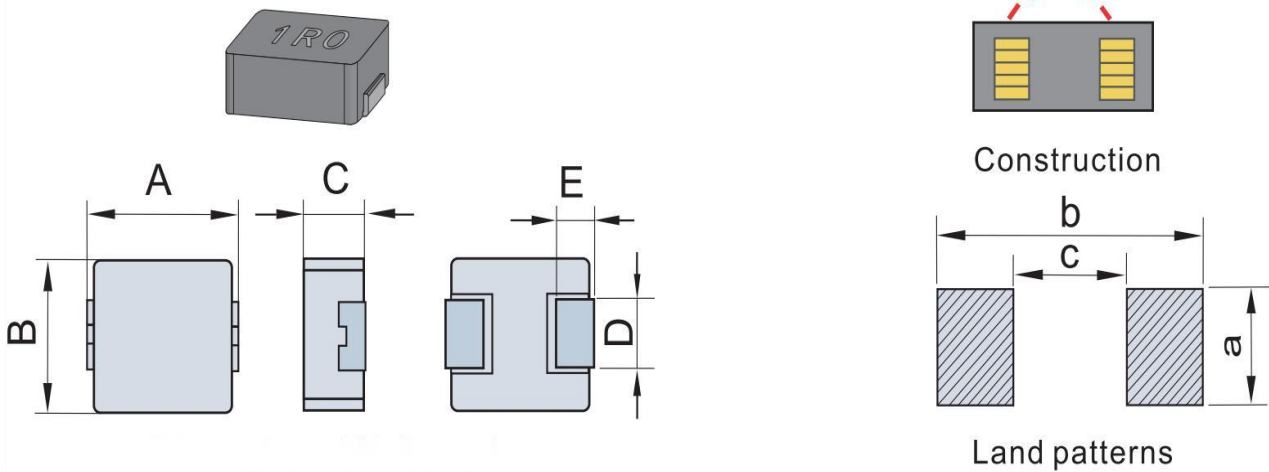
●应用APPLICATIONS:

- .移动通讯, 笔记本电脑 Portable communication equipment, Notebook Computer
- .LED电视 LED Television
- .DC/DC转换 DC/DC Converters.



产品规格型号表示方法HOW TO ORDER: A 代表 合金 Alloy ; C 代表 羰基 Carbonyliron

● 外型尺寸DIMENSIONS: 单位Dimensions (Unit:mm)



A	B	C	D	E	a	b	c
22.5±0.5	22.0±0.5	12.5±0.5	18.5±0.3	5.0±0.5	19.6Typ	23.3Typ	12.2Typ

●性能参数ELECTRICAL CHARACTERISTICS:

规格型号 Part No.	电感量 Inductance (uH)	Tolerance (±) %	直流电阻RDC(mΩ)		温升电流 Irms(A)	饱和电流 Isat(A)
			Typ	MAx		
XR2213A-8R2M	8.2	20	4.0	4.8	30	30

●注意Remark:

▲所有测试数据均参考18-25° C环境温度;

All test data is referenced to 18-25° C ambient;

▲电感测试条件为用WK3260B或同等设备以100KHz/0.25V测试;

Inductance tested at 100KHz/0.25V with WK3260B LCR Meter or equivalent;

▲饱和电流: 加电流时电感量下降30%左右;

Isat: DC current at which the inductance drops 30% typ from its value without current ;

▲温升电流: 加电流时产品温度上升40° C左右;

Irms: DC current that causes the temperature rise ( $\Delta T = 40^{\circ} C$  typ) from room temperture;

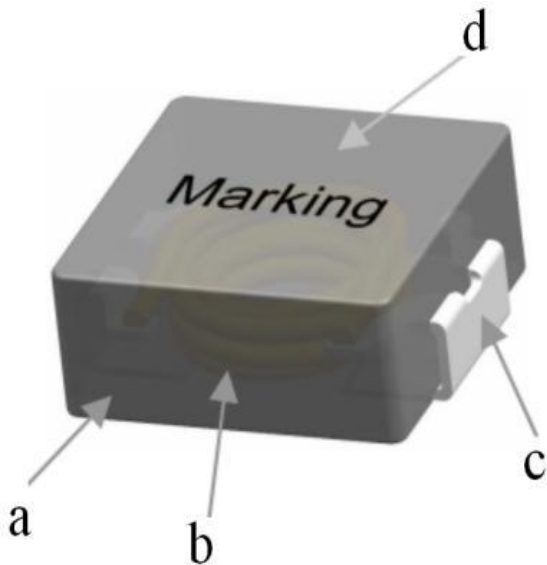
▲工作温度 (包括自身发热): -55° C~+ 155° C ;

Operating temperature rang( including coil's self temperature rise) :-55° C~+ 155° C ;

## 产品承认书 SPECIFICATION FOR APPROVAL

● 素材清单 Material List:

No.	项目 ITEM	材料 Materials
1	磁芯 Core	金属合金 Metal alloy
2	线 Wire	漆包线 Enameled wire or equivalent
3	端子 Terminal	铜+镍+锡 Copper+Nickel+Tin
4	油墨 Ink	KGK-JET LTH20-Black or equivalent



● 储存条件/注意的事项 Storage conditions/Note things:

1. 贮存温度、湿度条件 Storage temperature and humidity conditions :

1.1. 产品包装与载体: -10℃~+40℃, 低于60% RH.

Product packing with Carrier tape: -10℃~+40℃ and less than 60% RH.

1.2. 单独的产品: -20℃~+60℃, 低于60% RH.

Product alone: -20℃~+60℃ and less than 60% RH.

2. 产品在6个月内使用(注意:产品一经拆开包装,须尽快使用)

Products should be used within 6 months.(Note that the product should be used as soon as possible once it is folded).

3. 包装材料应保存在空气中不存在氯或硫的地方.

The packaging material should be kept where no chlorine or sulfur exists in the air.

4. 不要用手指触摸电极(焊接端子),因为这可能导致焊接能力的下降.

Do not touch the electrodes (soldering terminals) with fingers as this may lead to deterioration of solder ability.

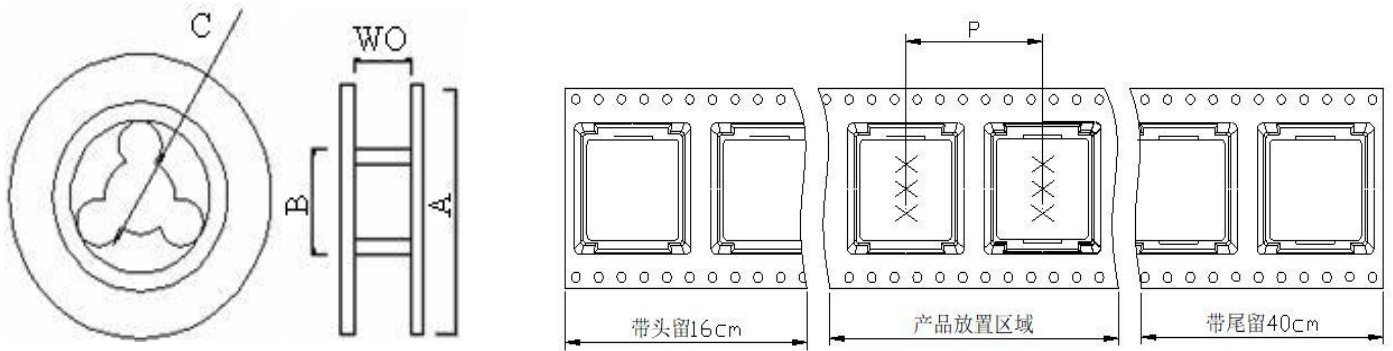
5. 个别零件强烈建议使用镊子或真空取料机, 散装搬运应减少磨损和机械冲击.

The use of tweezers or vacuum pick-ups is strongly recommended for individual components. Bulk handling should ensure that abrasion and mechanical shock are minimized.

● **包装材料及规格 Packaging materials and specifications:**

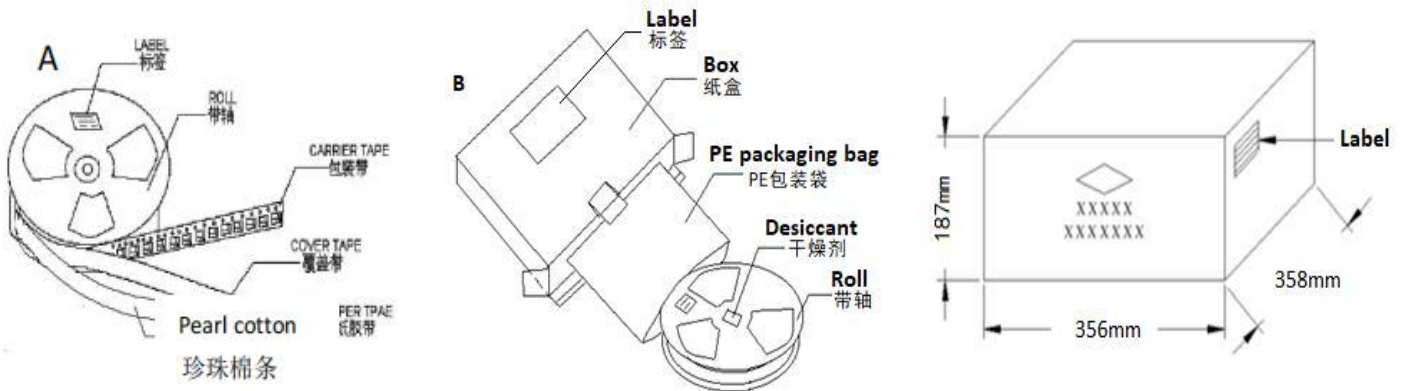
卷轴尺寸图 Scroll size:

包装带尺寸图 Tape size:



A	B	C	W0	P
330	100	16.5	44.8	32.0

● **包装方式及数量 The packing way and quantity:**



项目 ITEM	卷轴SCROLL	内箱INNER CARTON	外箱OUTER CARTON
	330*100*12mm	345*343*80mm	358*356*187mm
XR2213A	100 PCS/R	100 PCS/Box	200 PCS/Box